

POLYPROPYLENE SEAT

ARTICLE NUMBER:18 NO-04

High quality, low stadium seat made of stabilized polypropylene.

All surfaces of the stadium chair are smooth and provide safety and comfort by ergonomically profiling its seating surface and rounding off all edges.

The seat is resistant to low and high temperatures and UV radiation.

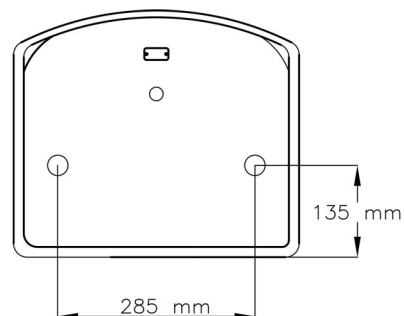
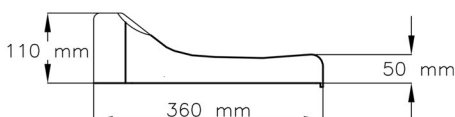
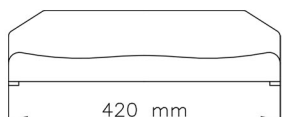
The seat attachment points are covered with two plastic caps.

Place for attaching the metal number plate and a hole for draining excess water.

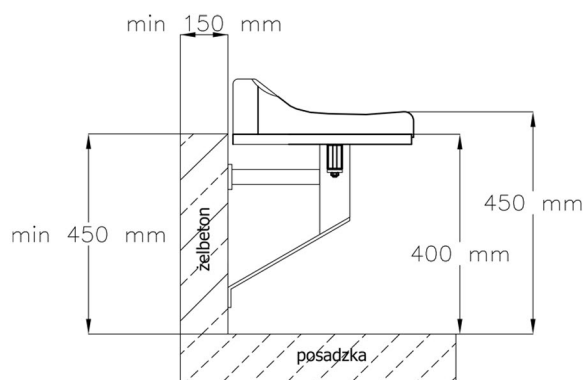
Standard colours: blue, red, yellow, green.



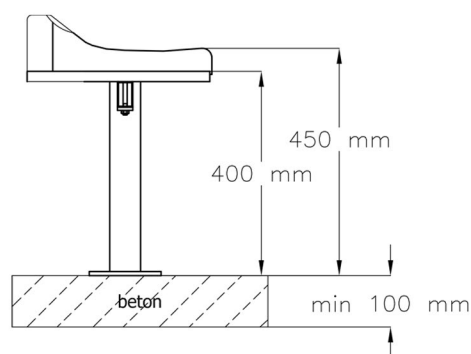
Dimensions:



Seat fastening structures:



Hanging structure



Standing structure