

## POLYPROPYLENE SEAT

ARTICLE NUMBER: 18 SO-05

High quality stadium seat made of stabilized polypropylene.

Surface of the seat and backrest are smooth and provide safety and comfort by ergonomically profiling their surface and rounding off all edges.

The seat is resistant to low and high temperatures and UV radiation.

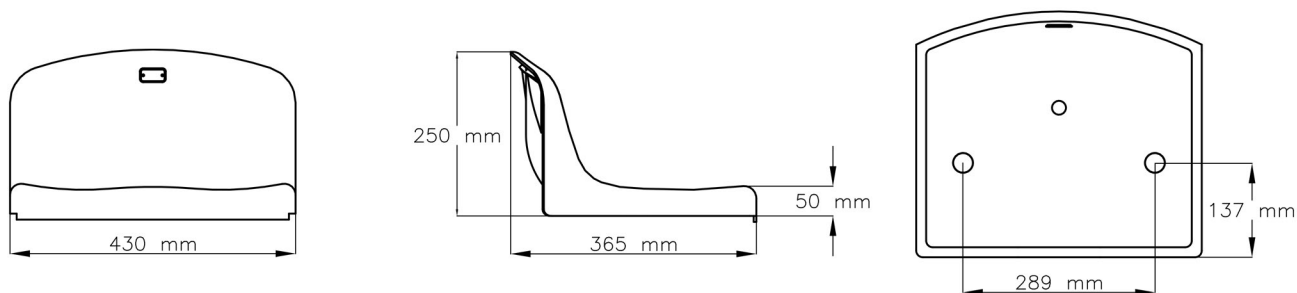
The seat attachment points are covered with two plastic caps.

Place for attaching the metal number plate and a hole for draining excess water.

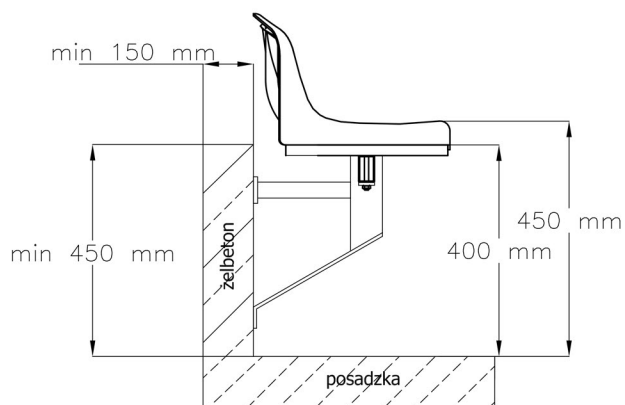
Standard colours: blue, red, yellow, green.



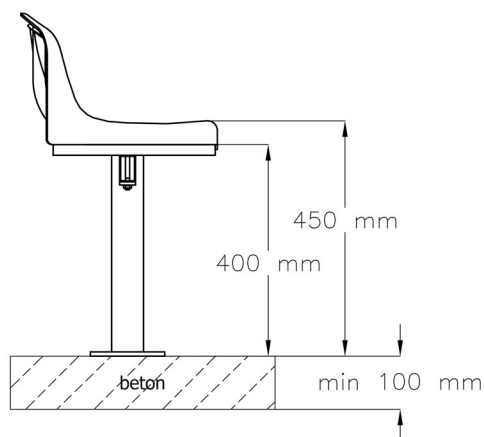
Dimensions:



Seat fastening structures:



Hanging structure



Standing structure