



SPORT TRANSFER
sports equipment

SPORT-TRANSFER sp. z o.o.
Jawornik 564
32-400 Myślenice
Tel. + 48 12 649 14 83
e-mail: biuro@sport-transfer.com.pl

INSTRUCTIONS FOR ASSEMBLY AND USE OF SPORTS EQUIPMENT

Product: **Table height adjustment mechanism**

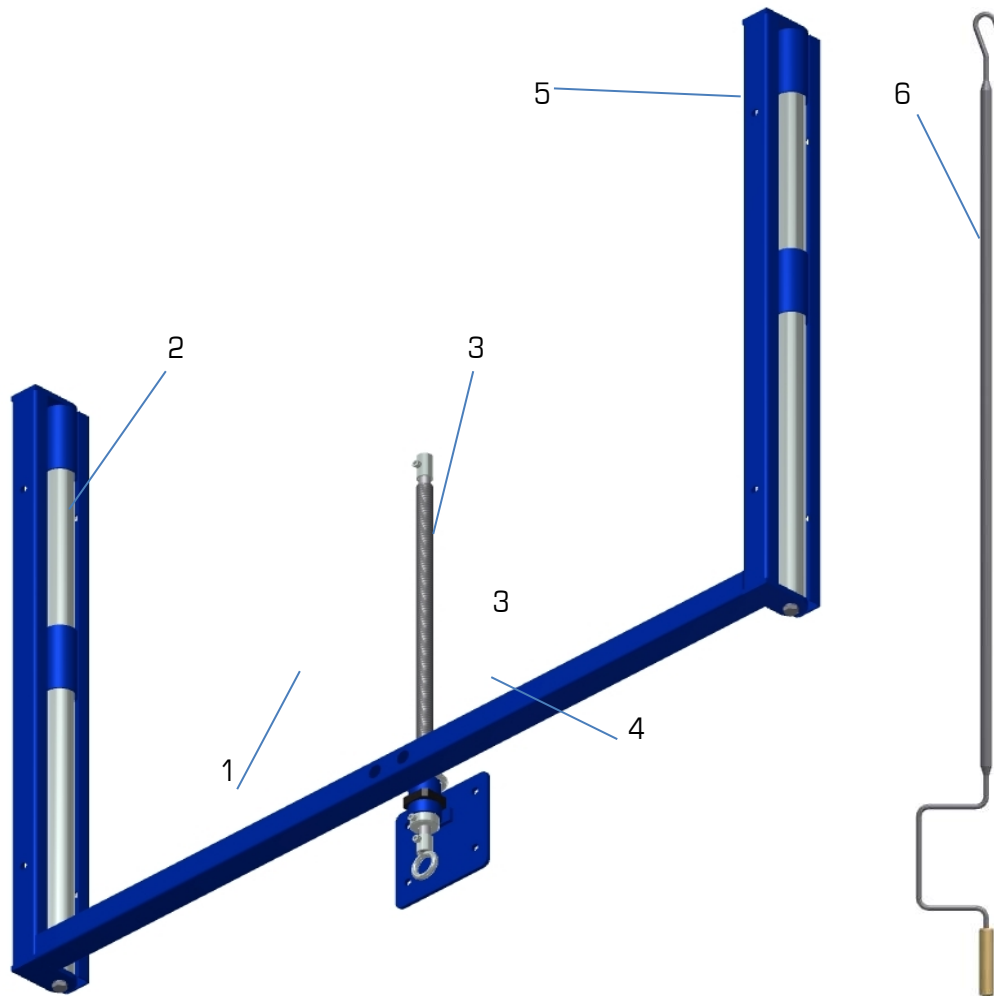
Code: 10 017, 10 018

The table height adjustment mechanism meets the requirements of the PN-EN 913:2019-3 and PN-EN 1270:2006 standard: "Playing Field Equipment - Basketball Equipment. Functional And Safety Requirements, Test Methods".

The height adjustment mechanism allows to change the position of the board in relation to the ground within the range from 260 cm to 305 cm.

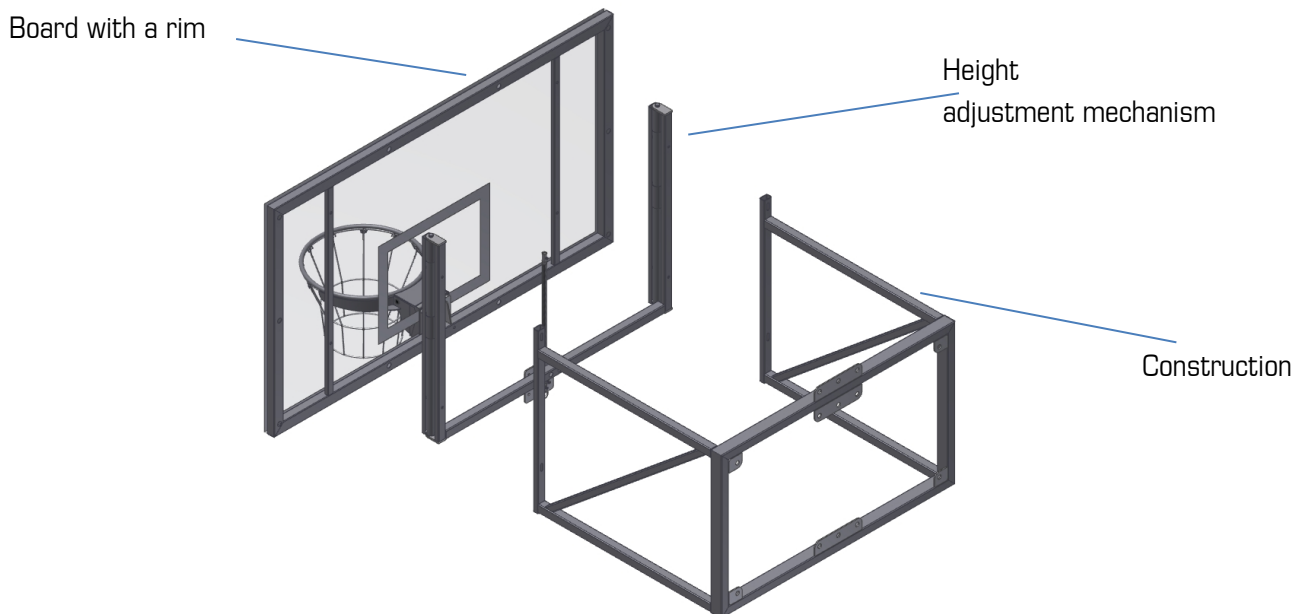
1. Components

Number	Part/subassembly name	Quantity per product
1	Mechanism frame	1
2	Guide	2
3	Trapezoidal screw	1
4	Rim attachment plate	1
5	Table fixing bracket	2
6	Adjustment crank	1



2. Usage

Mechanisms structures have been adapted to all types of wall structures and all types of boards with a frame. They are attached between the wall structure and the board frame.



The height is changed manually. Hook the adjusting crank [6] into the handle of the trapezoidal screw [3] and turn it until you feel a resistance preventing further turning.

Limit positions of the rim from the ground:

- 305 cm (senior basketball)
- 260 cm (junior basketball).

3. Operation of adjustment mechanisms

- The device is designed and intended for playing basketball and should not be used for any other purpose.
- For safety reasons, no additional loads may be placed on the structure.
- Replacement of components should be carried out with original spare parts by a person appropriately trained for this purpose.
- The proper operation of the set components should be reviewed every 3 months. If a fault is detected, contact the manufacturer.
- Maintenance work may be carried out with generally available detergents for a particular type of surface. For safety reasons, these works should be carried out by a person having permission to work at heights.

ATTENTION: Do not climb or hang on any part of the structure.