



SPORT-TRANSFER sp. z o.o.
Jawornik 564
32-400 Myślenice
Tel. +48 12 649 14 83
e-mail: biuro@sport-transfer.com.pl

INSTRUCTIONS FOR ASSEMBLY AND USE OF SPORTS EQUIPMENT

Product: **Fixed basketball construction**
Code: 10 020

The basketball structure meets the requirements of the PN-EN 913:2019-3 and PN-EN 1270:2006 standard: "Playing Field Equipment - Basketball Equipment. Functional And Safety Requirements, Test Methods".

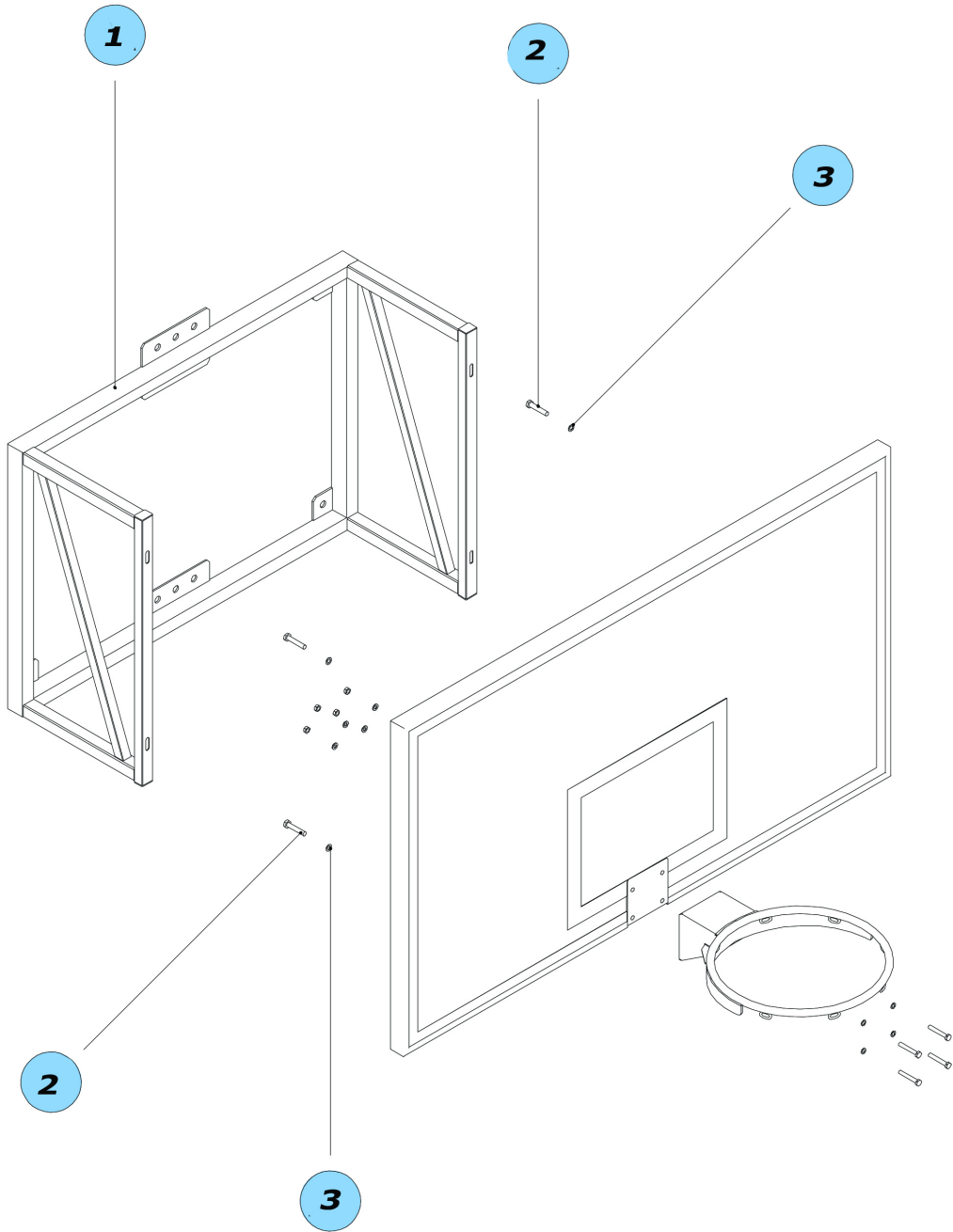
1. Components

Number	Part/subassembly name	Quantity per product
1	Structure frame	1
2	Screw M10x45	4
3	Washer widened M10	4
4	Self-locking nut M10 (acrylic board)	4

2. Assembly of the basketball structure

Assembly of the structure must be carried out by a specialist company

- Attach the frame (1) to the wall in the sports hall at the appropriate height at 13 fixing points.
- It is recommended to select appropriate elements for fixing the structure to the wall, depending on the wall structure.
- Horizontal force acting on a fixed frame equal to $F=900$ N or vertical force equal to $F=3200$ N should not cause the frame mountings to loosen in the wall.
- Attach the plate using M10x45 (2) bolts, washers (3) and nuts (4).



3. Using the set

- a) The structure is designed exclusively for basketball play and cannot be used for any other purpose.
- b) Before starting to use and periodically (max. every 3 months) it is necessary to check the fastenings of all individual elements of the structure.

ATTENTION:

Do not climb or hang on any part of the structure.