

WINNERS' PODIUM

ARTICLE NUMBER: 19 013

Fibreglass structure Set of three separate one-person segments. Top surface covered with an anti-slip layer. Easy to store and transport - the other two fit inside the largest piece.

Dimensions of individual elements:

1: 648 x 610 x 600 mm

2: 572 x 550 x 400 mm

3: 507 x 490 x 250 mm

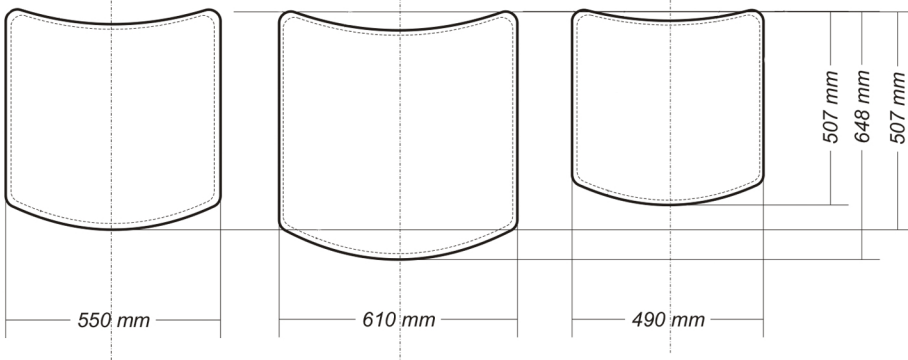
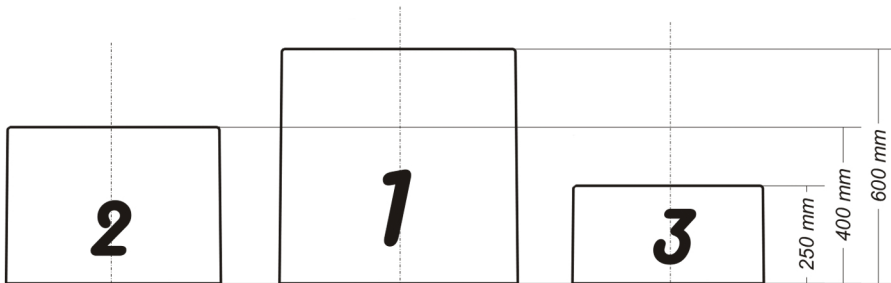
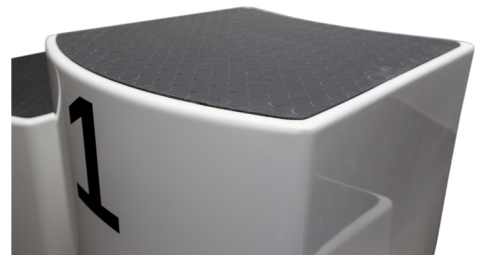
Weight approx. 30 kg.

Set of three separate one-person segments.

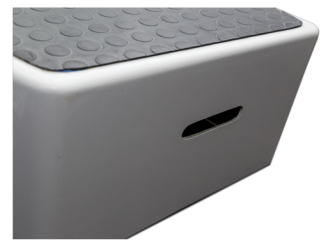


Can be personalised with any logo.

Top surface covered with an anti-slip layer.



Easy to store - the other two fit inside the largest piece.



Handles for easy carrying.