



SPORT-TRANSFER SP. Z O.O.

Jawornik 564

32-400 Myślenice

Tel. +48 12 649 14 83

INSTRUCTIONS FOR ASSEMBLY AND USE OF SPORTS EQUIPMENT

Product: **PROFESSIONAL BEACH HANDBALL GOAL /3.00 X 2.00 M/**

Code: 13 901

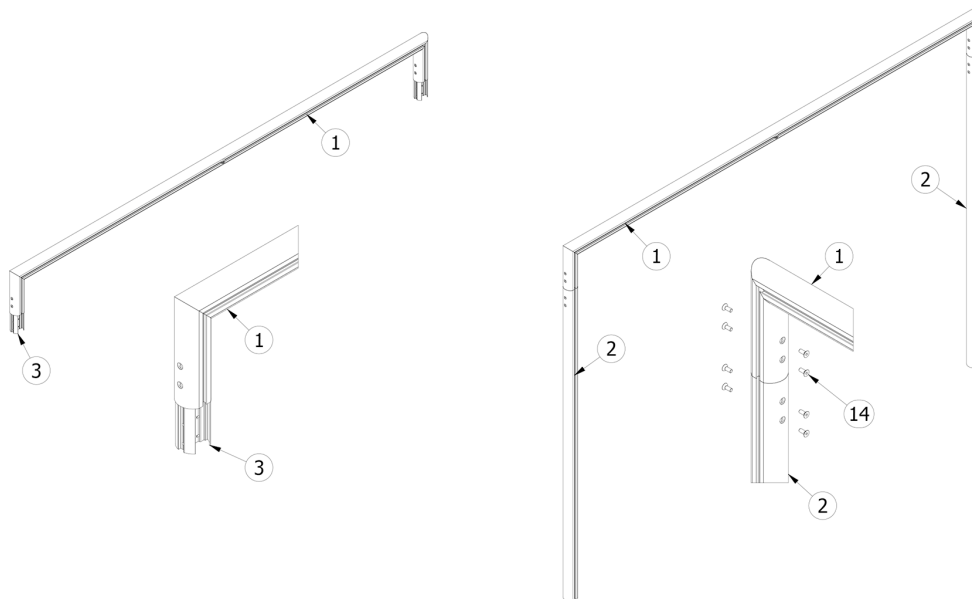
The beach handball goal is IHF and EHF certified and meets the requirements of the PN-EN 749 standard: "Playing field equipment. Handball goals. Functional and safety requirements, test methods."

1. Goal components

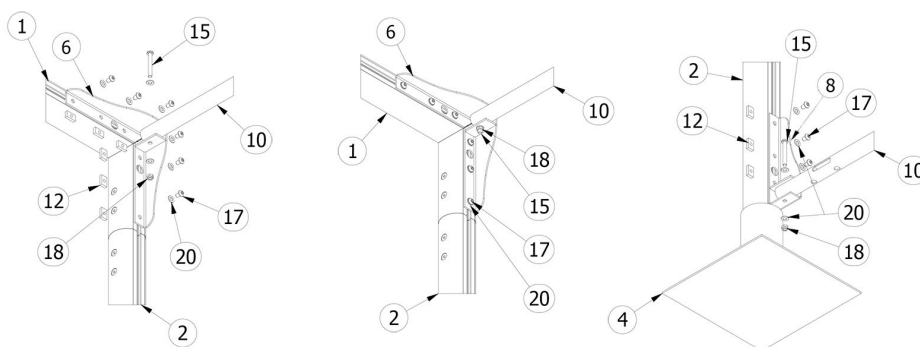
Number	Name of part / component	Quantity per product
1	Goal crossbar	1
2	Goal post /left, right/	2
3	Post and crossbar connector	2
4	Mounting sleeve	2
5-6	Upper corner /left, right/	2
7-8	Lower corner /left, right/	2
9-10	Goal arch /left, right/	2
11	Bottom goal crossbar	1
12	Fixing block	18
13	PP hook	65
14	Hex socket tapered screw M8x20	16
15	Hex socket semicircular screw M8 X 60	4
16	Hex socket semicircular screw M8 X 55	2
17	Hex socket semicircular screw M8 X 16	18
18	Self-locking nut	4
19	Wing nut	2
20	Spring washer	24

2. Goal assembly

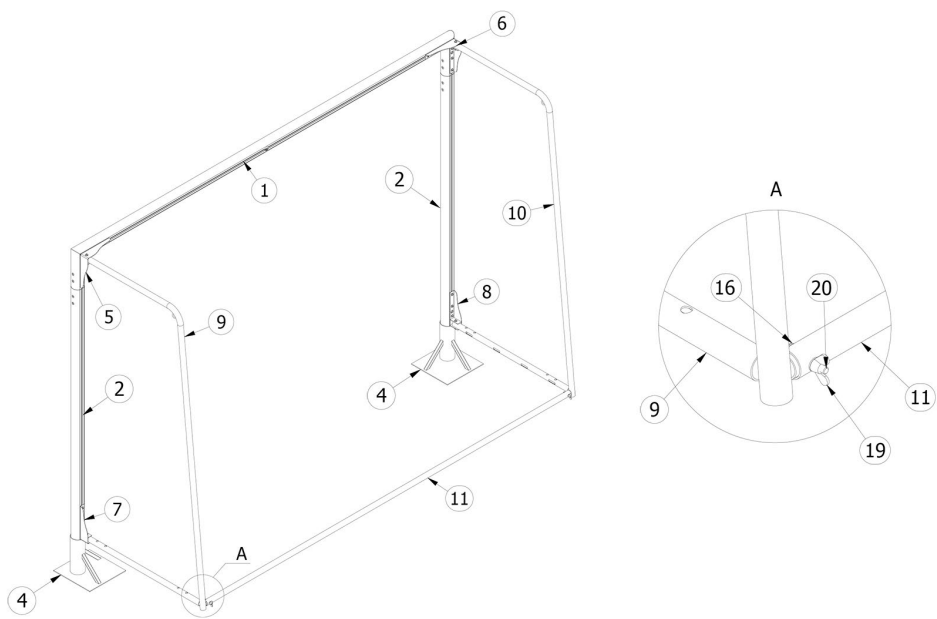
- Connect the goal crossbar (1) to the goal posts (2) using the connector (3) and hex socket screws (14).



- Insert the mounting blocks (12) into the embossment in the crossbar and the goal posts and screw the top (5-6) and bottom (7-8) goal vices using the hex socket screws (17) and washers (20).
- Use the hexagon socket screws (15), washers (20) and self locking nuts (18) to screw the left and right goal arches (9-10) to the top (5-6) and bottom (7-8) edges.



- Using M8x55 hex socket screws (16), wing nuts (19) and washers (20), screw the bottom crossbar (11) to the goal arches (9-10).



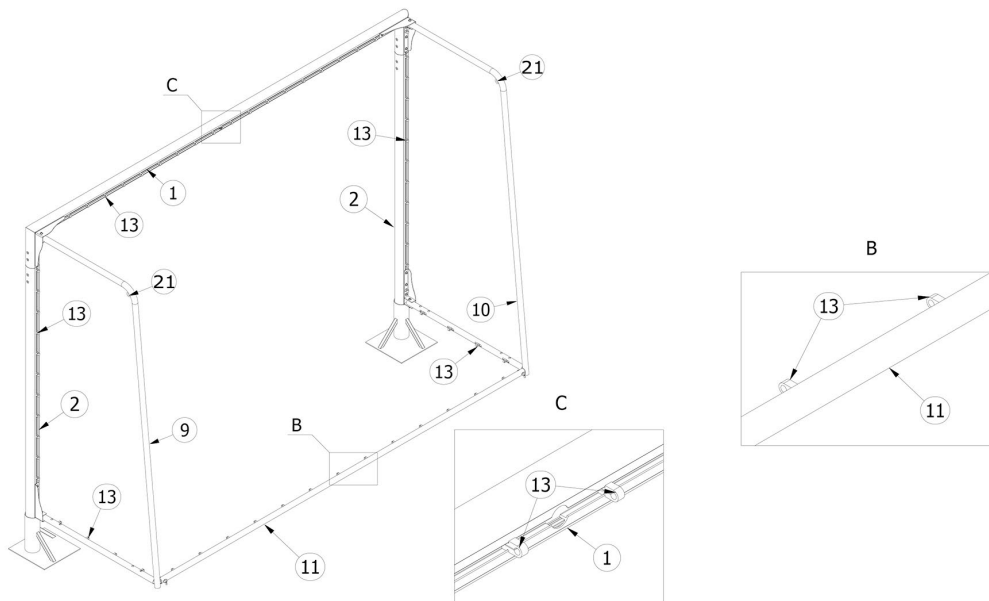
3. Fixing the goal in the sand

- The mounting sleeves (4) together with the goal are to be buried in the sand at an axial distance of 3080mm so that the upper edge of the sleeve coincides with the zero level of the pitch, sand.



4. Net attachment

- Hang the net in the goal under the arches.
- To the goal's crossbar (1), goal posts (2) bottom part of the goal's arches (9-10) and bottom crossbar (11), fasten the net with PP hooks (13) at intervals of ~15 cm. Place the hook on the edge line of the net, insert it into the ribbing in the goal frame, arch and crossbar and rotate by 90°.
- At the top of the goal arches (9-10), suspend the net with a rope to the metal grommets (21) located there.





5. Using the goal

- a) The goal is designed for playing beach handball in open facilities.
- b) Prior to use (i.e., after each time the goal is assembled or moved) and periodically during operation (at least once a month), inspect and, if necessary, tighten the goal fasteners.
- c) Use the goal only if it is fastened to the ground (as described in the installation instructions) in a manner that prevents it from moving or swiveling.

NOTE: Do not climb or hang on any parts of the goal and net.