



SPORT TRANSFER
sports equipment

SPORT-TRANSFER sp. z o.o.
Jawornik 564
32-400 Myślenice
Tel. +48 12 649 14 83
e-mail: biuro@sport-transfer.com.pl

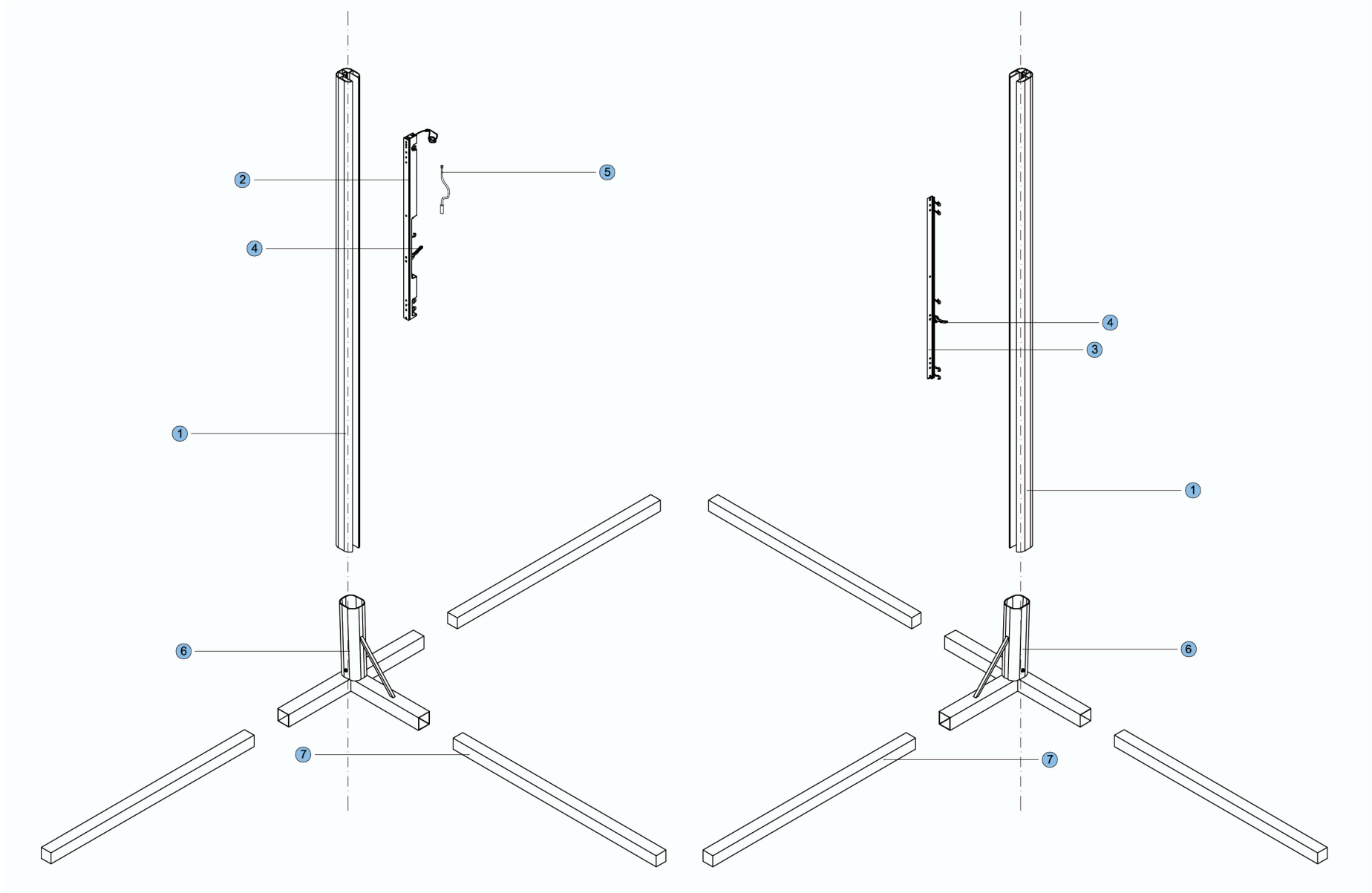
INSTRUCTIONS FOR ASSEMBLY AND USE OF SPORTS EQUIPMENT

Product: **PROFESSIONAL aluminium beach volleyball posts with sleeves**
Code: 12 000, 12 008

The volleyball posts meets requirements of the PN-EN 913:2019-03 and PN-EN 1271:2015-01 standard:
"Playing Field Equipment - Volleyball Equipment. Functional And Safety Requirements, Test Methods".

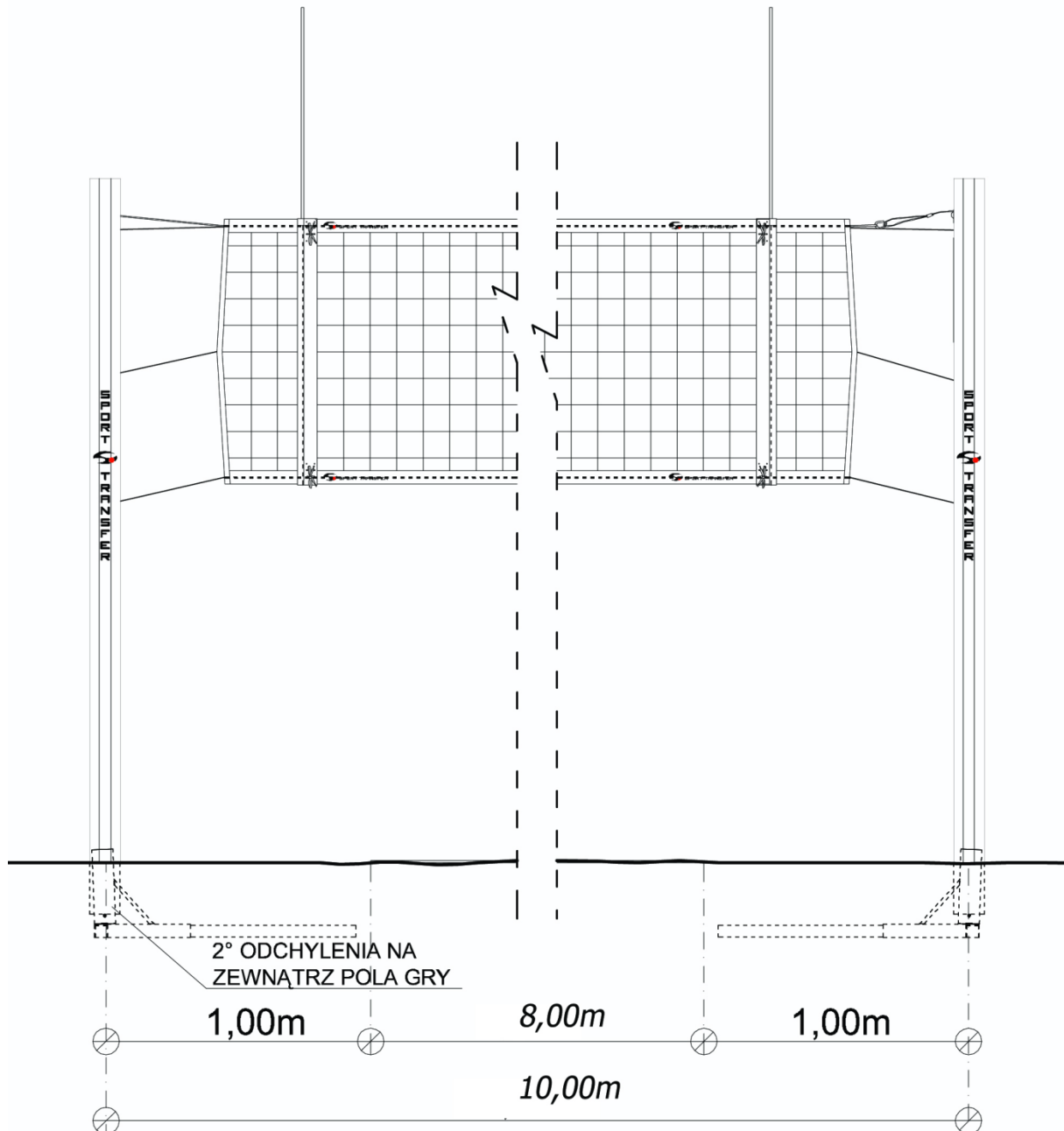
1. Components

Number	Part/subassembly name	Quantity per product
1	Oval aluminium posts	2
2	Slat with the screw tensioner	1
3	Slat with net hooks	1
4	Eccentric locking device	2
5	Crank	1
6	Aluminium sleeve with cross-piece	2
7	Wooden beam	6



2. Installing the volleyball post

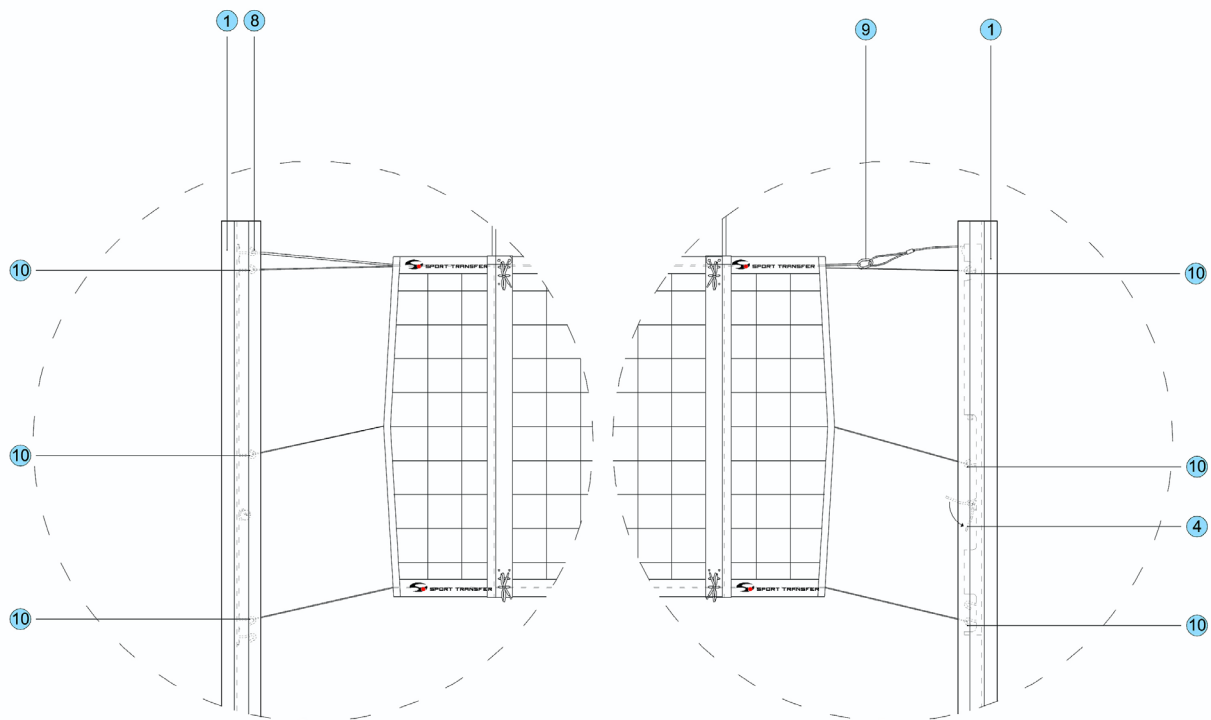
- a) Place the sleeves (6) in the prepared holes in the ground at an angle of $\sim 2^\circ$ of the inclination to the vertical in the direction outside to the playing field, with an axial distance of 10 m (axial distance from 9 to 10 m is allowed). The sleeves should be positioned so that the wooden beam is symmetrically in the playing field axis and in the playing field direction.



- b) The upper edge of the sleeve should be about 50mm above the sand level. Before filling the sleeves (6), it is recommended to weight additionally the beams (7) with sandbags.

3. Net fastening

- a) The net carrying line is fixed on the top hook (8) of the batten in the hook rail.
- b) The other end of the suspension strand is hooked onto the snap hook located at the slat with the screw tensioner (9).
- c) By turning the crank (5) applied to the joint in the middle of the slat with the tensioner, tighten the net's suspension line. In a correctly tensioned grid, the height of its top edge, measured at the centre, must not be less than 1 cm in relation to the height measured above the sidelines of the playground.
- d) After tensioning the suspension strand, the net is tensioned using tensioning strings and tied to the hooks (10) on the slats of both rails so that the net is symmetrical in relation to the transverse axis of the playing field.
- e) Suspension height of the net in metres: 2.43 for men; 2.24 for women; 2.35 for juniors "m"; 2.20 for juniors "k"; 1.55 for badminton.



4. Using the posts

- a) Aluminium beach volleyball posts are designed for playing volleyball and badminton.
- b) The posts in the sleeves (6) are set so that the elements used to suspend the grid are directed to the playing field.
- c) The posts are stepless adjustable in height. In order to set the desired height, unlock the eccentric (4) by turning the handle upwards and moving the tensioning slat (2) / hook slat (3) to

the desired height. Then, pressing the eccentric handle (4) downwards, lock the slats at the desired height.

Note: adjust the height of the net suspension without tensioning the net.

- d) After adjusting the height, tension the net according to the instruction above.
- e) Each time after the game is over, loosen the tension on the net suspension strand.

ATTENTION: Do not climb or hang on any part of the posts or nets, do not unlock the eccentric during the game or when the net is tensioned.

For additional safety, use pole shields Art. No. 11 004.