



SPORT TRANSFER
sports equipment

SPORT-TRANSFER SP. Z O.O.

Jawornik 564

32-400 Myślenice

Tel. +48 12 649 14 83

INSTRUCTIONS FOR ASSEMBLY AND USE OF SPORTS EQUIPMENT

Product: **STANDARD HANDBALL GOAL /3.00 X 2.00 M/**

Code: 13 001/S

The handball goal meets the requirements of the PN-EN 749 standard: "Playing field equipment. Handball goals. Functional and safety requirements, test methods."

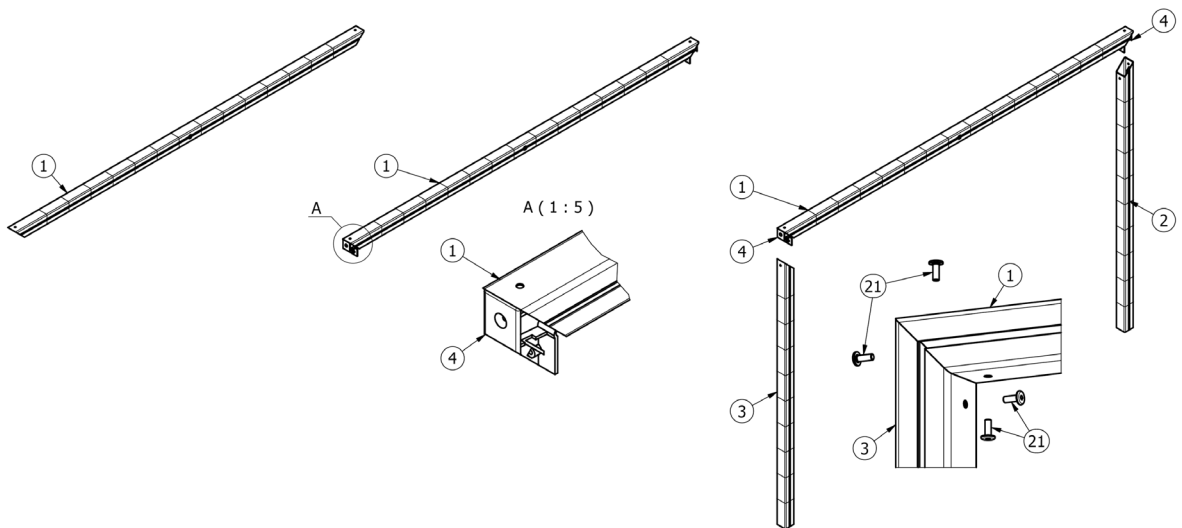
1. Goal components

Number	Name of part / component	Quantity per product
1	Goal crossbar	1
2-3	Goalpost /right, left/	2
4	Post and crossbar connector	2
5-6	Upper corner /right, left/	2
7-8	Lower corner /left, right/	2
9-10	Goal arch /left, right/	2
11	Plate for securing the goal	4
12	Bottom goal crossbar	1
13	Fixing block	18
14	PP hook	65
15	Plastic knob screw M12	4
16	Post cap	2
17	Arch plug	2
18	Hex socket semicircular screw M8 X 60	4
19	Hex socket semicircular screw M8 X 55	2
20	Hex socket semicircular screw M8 X 16	18
21	Hex socket rolled screw M8 X 20	8
22	Screw 6,3 x 22	16

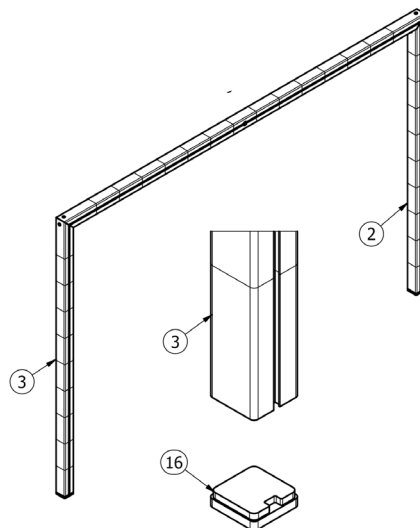
23	Self-locking nut M8	4
24	Wing nut M8	2
25	Nut M12	4
26	Spring washer	20
27	Flat washer	8

2. Goal assembly

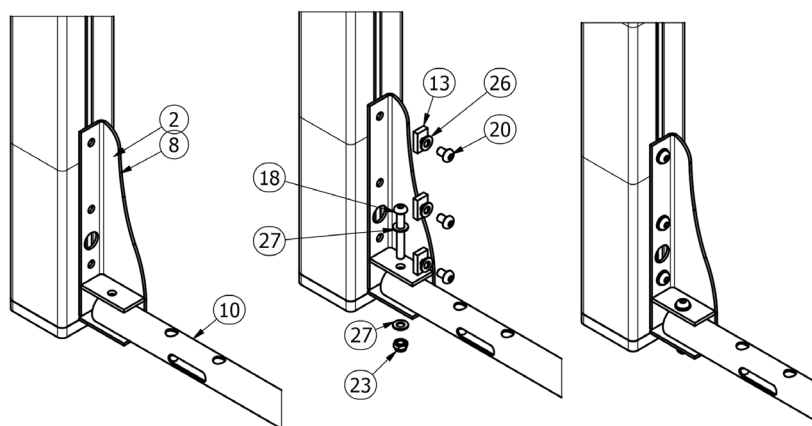
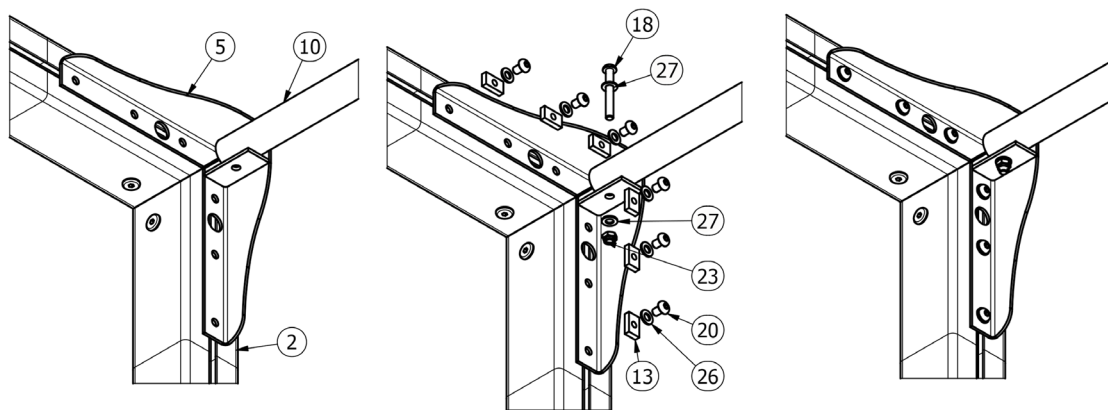
- Connect the goal crossbar (1) to the goal posts (2,3) using the connector (4) and hex socket screws (21).

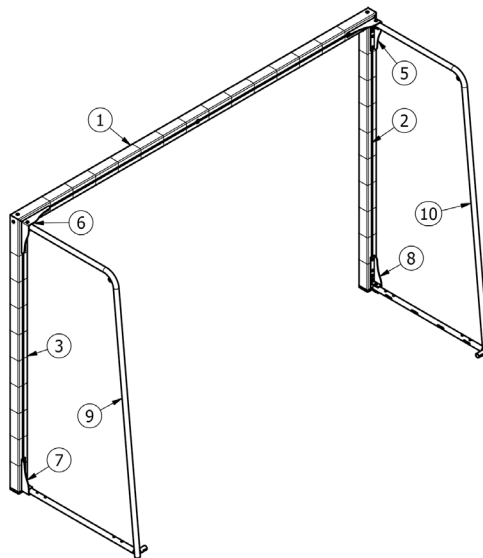


- Insert the cap (16) into the lower parts of the goal posts (2,3).

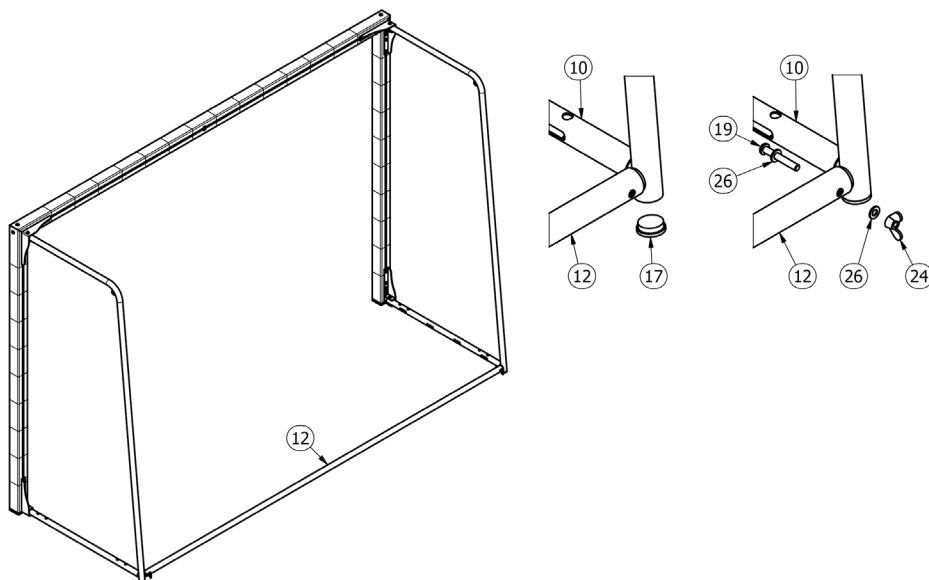


- Insert the mounting blocks (13) into the embossment in the crossbar and the goal posts and screw the top (5-6) and bottom (7-8) goal vices using the hex socket screws (20) and spring washers (26).
- Use the hexagon socket screws (18), washers (27) and self locking nuts M8 (23) to screw the left and right goal arches (9-10) to the top (5-6) and bottom (7-8) edges.



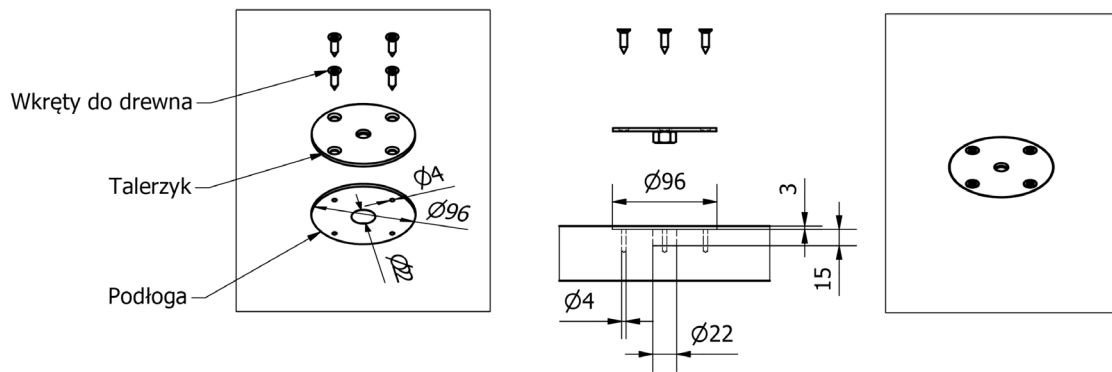


- Insert the plug (17) into the goal arches (9-10).
- Using M8x55 hex socket screws (19), wing nuts (24) and spring washers (26), screw the bottom crossbar (12) to the goal arches (9-10).

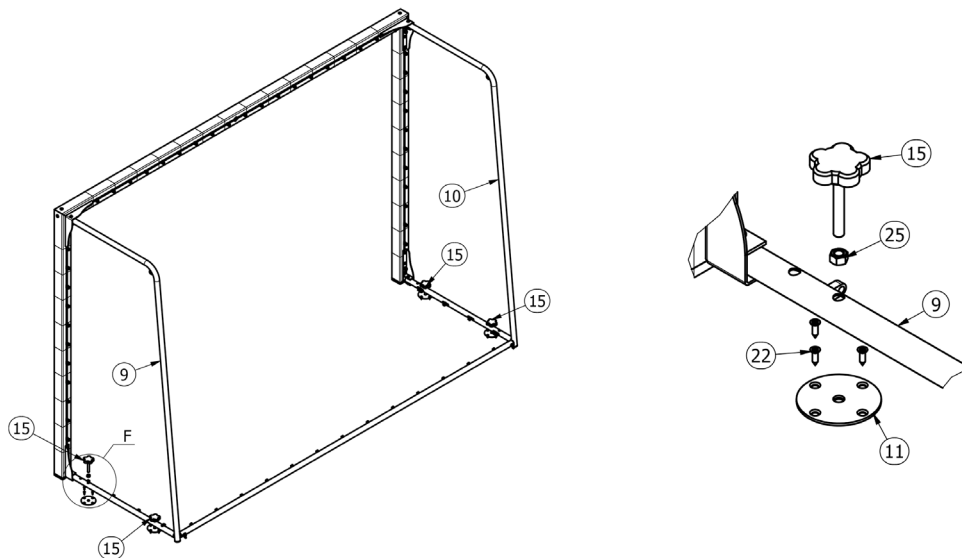


3. Fastening the goal to the floor

- Seat the goal's mounting plates (11) in the floor in line with the fastening holes in the goal's arches (9-10) by milling the appropriate holes so that the mounting plate is flush with the floor surface.
- Screw the mounting plate (11) to the floor with the screws (22).

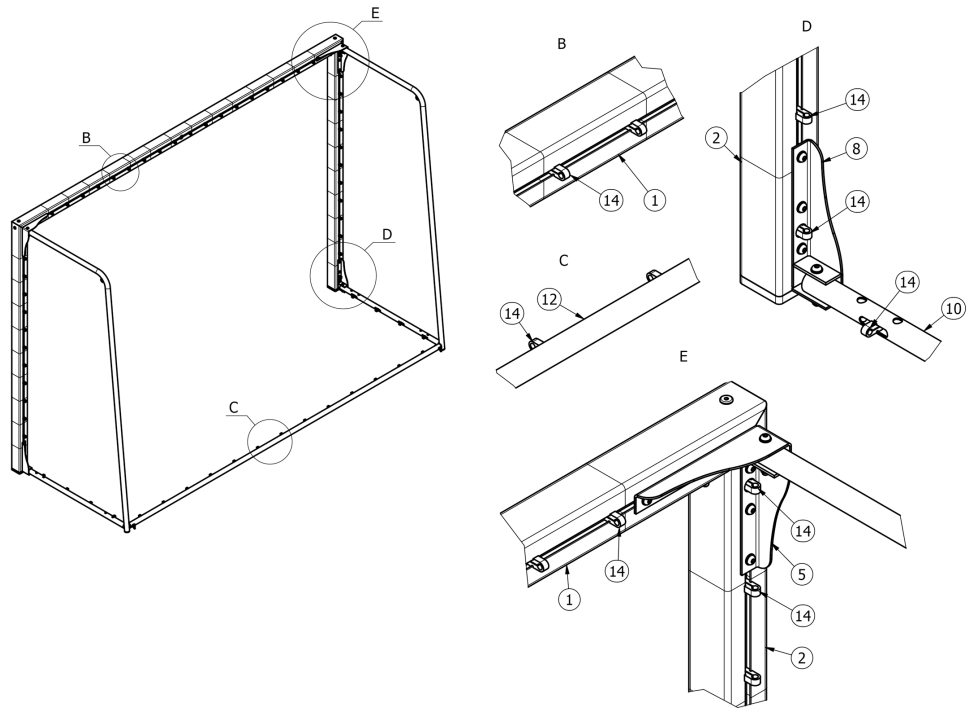
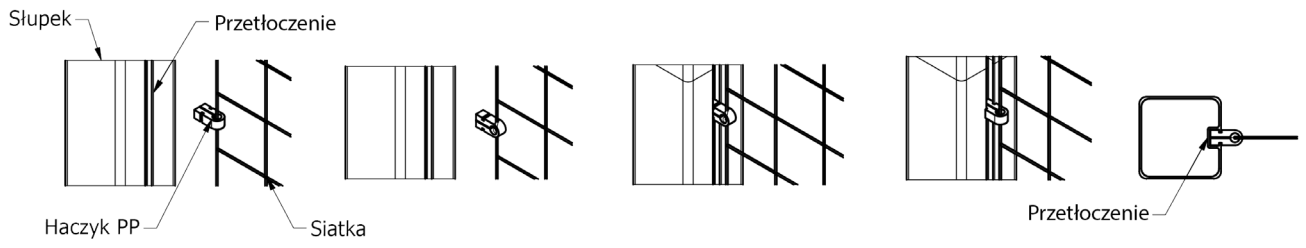


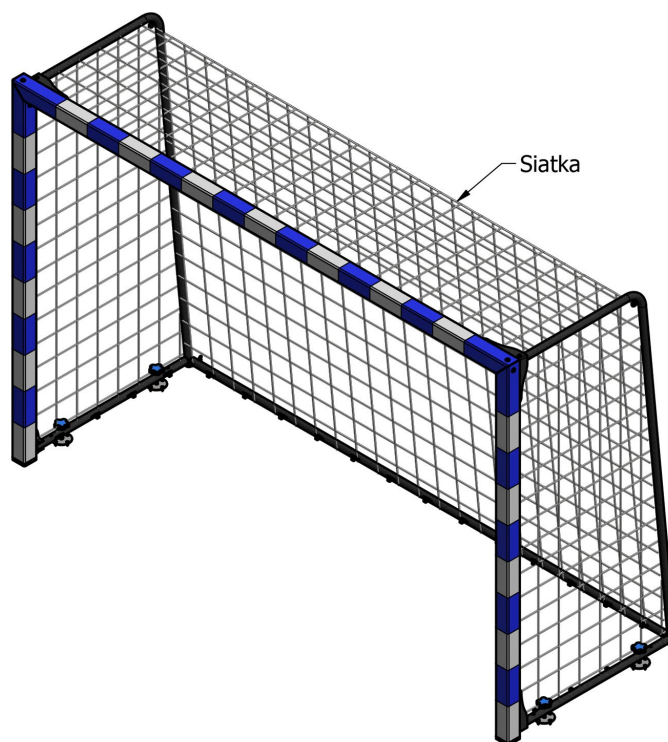
- Screw the goal to the mounting plates (11) using M12 plastic knob screws (15) and M12 nuts (25).



4. Net attachment

- Hang the net in the goal under the arches.
- To the goal's crossbar (1), goal posts (2-3) bottom part of the goal's arches (9-10) and bottom crossbar (12), fasten the net with PP hooks (14) at intervals of ~ 15 cm. Place the hook on the edge line of the net, insert it into the ribbing in the goal frame, arch and crossbar and rotate by 90° .
- At the top of the goal arches (9-10), suspend the net with a rope to the metal grommets (21) located there.





5. Using the goal

- a) The goal is designed for playing handball in indoor and outdoor facilities.
- b) Prior to use (i.e., after each time the goal is assembled or moved) and periodically during operation (at least once a month), inspect and, if necessary, tighten the goal fasteners.
- c) Use the goal only if it is fastened to the ground (as described in the installation instructions) in a manner that prevents it from moving or swiveling.

NOTE: Do not climb or hang on any parts of the goal and net.