



SPORT TRANSFER
sports equipment

SPORT-TRANSFER SP. Z O.O.

Jawornik 564

32-400 Myślenice

Tel. +48 12 649 14 83

INSTRUCTIONS FOR ASSEMBLY AND USE OF SPORTS EQUIPMENT

Product: **STANDARD HANDBALL GOAL WITH SLEEVES /3.00 X 2.00 M/**

Code: 13 002/S

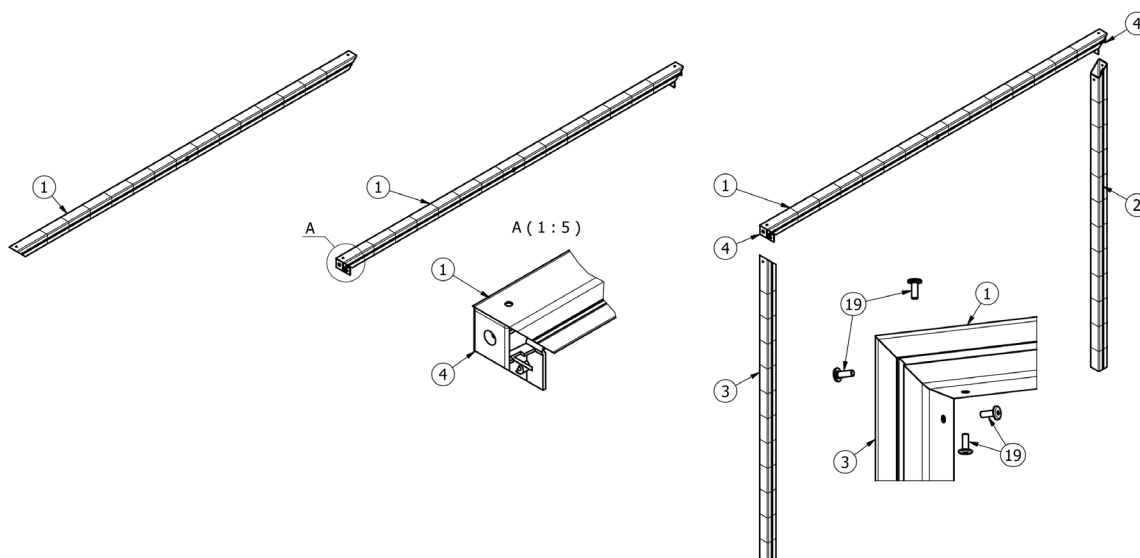
The handball goal meets the requirements of the PN-EN 749 standard: "Playing field equipment. Handball goals. Functional and safety requirements, test methods."

1. Goal components

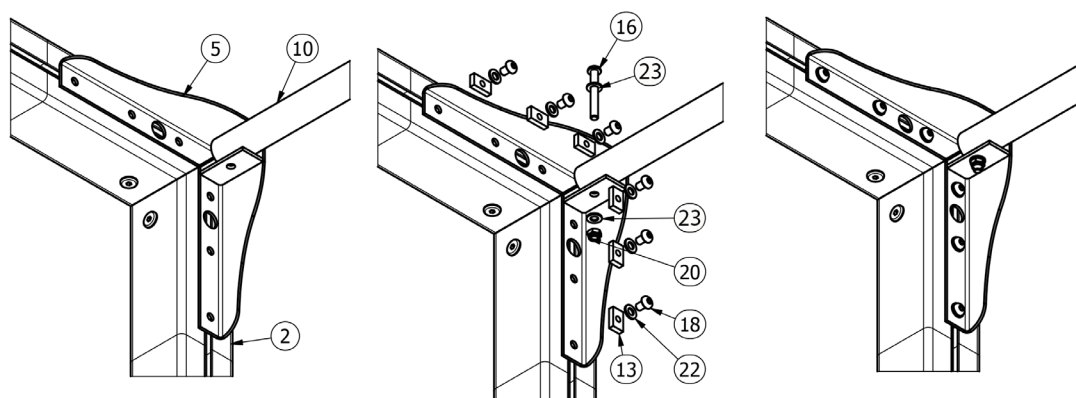
Number	Name of part / component	Quantity per product
1	Goal crossbar	1
2-3	Goalpost /right, left/	2
4	Post and crossbar connector	2
5-6	Upper corner /right, left/	2
7-8	Lower corner /left, right/	2
9-10	Goal arch /left, right/	2
11	Mounting sleeve	2
12	Bottom goal crossbar	1
13	Fixing block	18
14	PP hook	65
15	Arch plug	2
16	Hex socket semicircular screw M8 X 60	4
17	Hex socket semicircular screw M8 X 55	2
18	Hex socket semicircular screw M8 X 16	18
19	Hex socket rolled screw M8 X 20	8
20	Self-locking nut M8	4
21	Wing nut M8	2
22	Spring washer	20

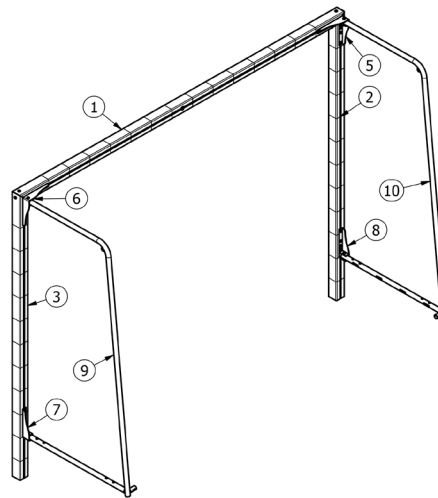
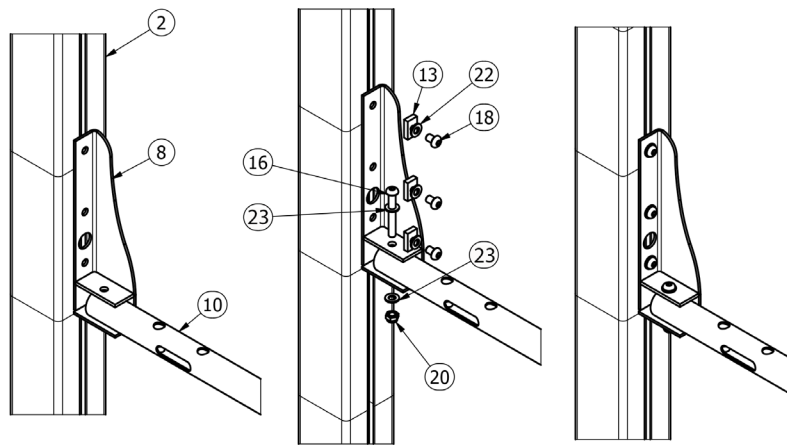
2. Goal assembly

- Connect the goal crossbar (1) to the goal posts (2 2) using the connector (4) and hex socket screws (19).

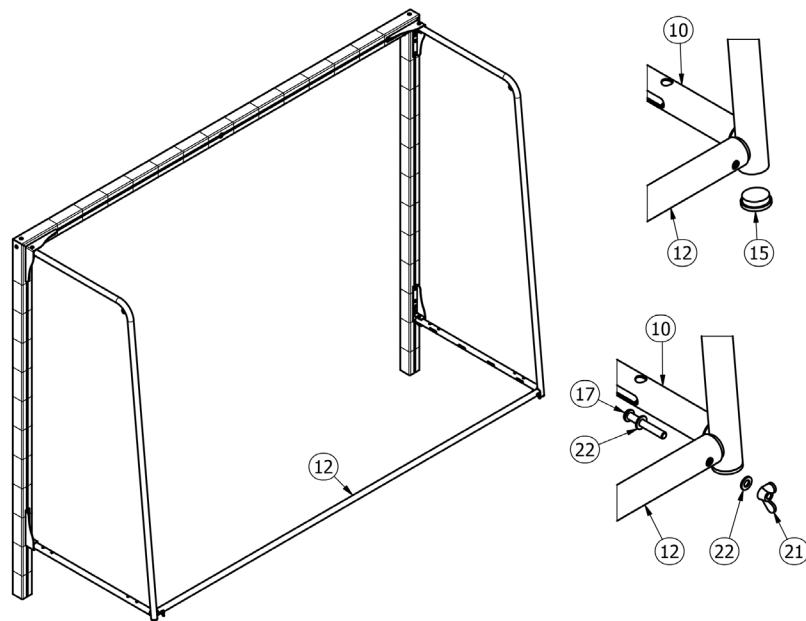


- Insert the mounting blocks (13) into the embossment in the crossbar and the goal posts and screw the top (5-6) and bottom (7-8) goal vices using the hex socket screws (18) and spring washers (22).
- Use the hexagon socket screws (16), washers (22) and self locking nuts M8 (20) to screw the left and right goal arches (9-10) to the top (5-6) and bottom (7-8) edges.



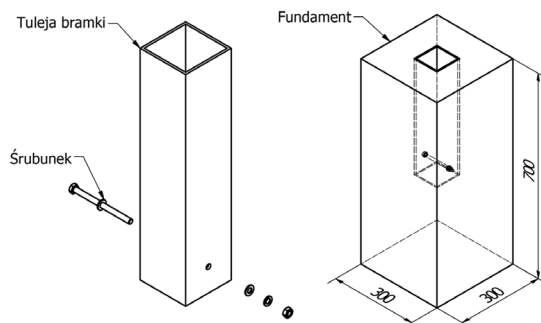


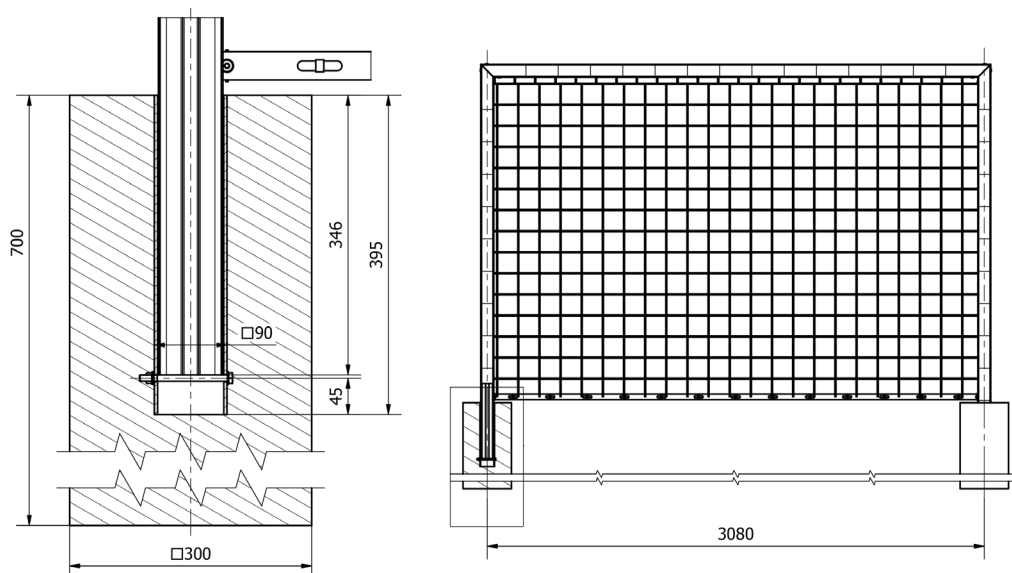
- Insert the plug [15] into the goal arches [9-10].
- Using M8x55 hex socket screws [17], wing nuts [21] and spring washers [22], screw the bottom crossbar [12] to the goal arches [9-10].



3. Fastening the goal sleeve

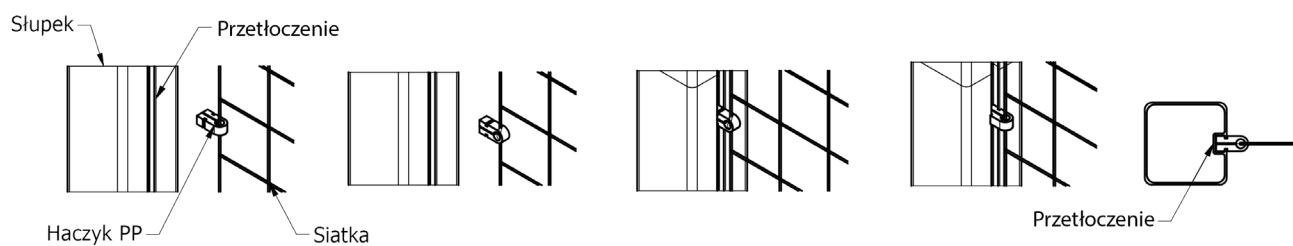
- Mounting sleeves of the goal (11) should be embedded in foundation foots 300x300x700mm with axial spacing of 3080mm made of concrete class C 20/25.
- Align the sleeves vertically and horizontally relative to each other, keeping the top of the sleeve flush with the zero level of the playing surface.
- After the concrete has set, insert the goal into the embedded sleeves.

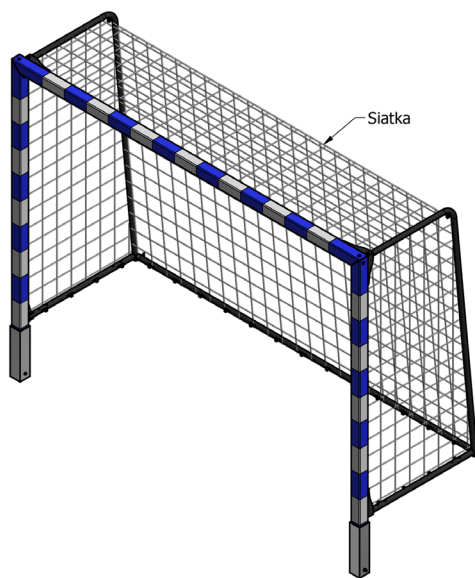
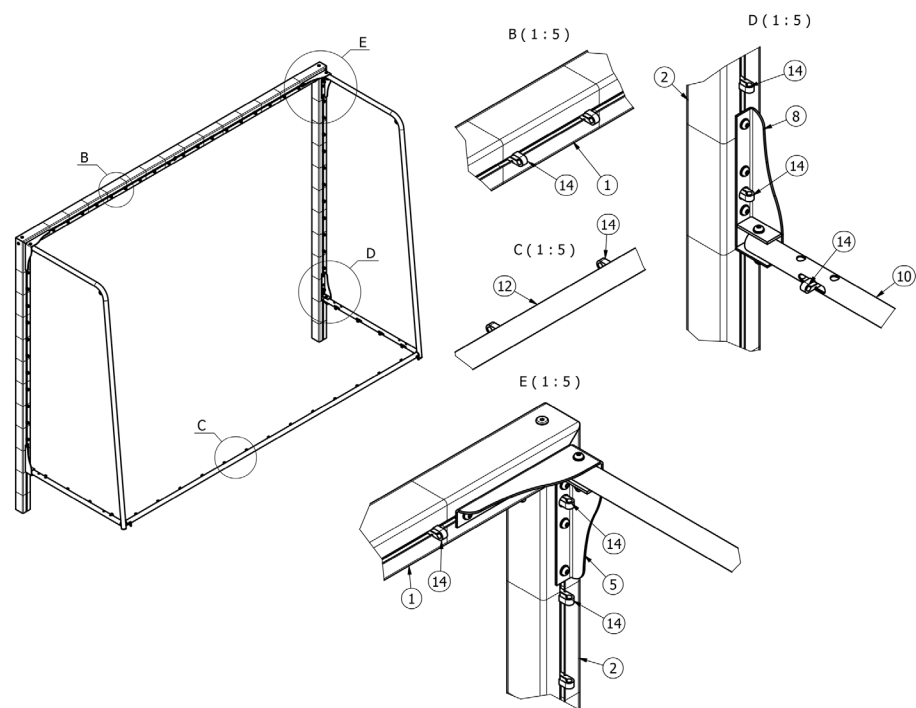




4. Net attachment

- Hang the net in the goal under the arches.
- To the goal's crossbar (1), goal posts (2-3) bottom part of the goal's arches (9-10) and bottom crossbar (12), fasten the net with PP hooks (14) at intervals of ~ 15 cm. Place the hook on the edge line of the net, insert it into the ribbing in the goal frame, arch and crossbar and rotate by 90° .
- At the top of the goal arches (9-10), suspend the net with a rope to the metal grommets located there.





5. Using the goal

- The goal is designed for playing handball in indoor and outdoor facilities.
- Prior to use (i.e., after each time the goal is assembled or moved) and periodically during operation (at least once a month), inspect and, if necessary, tighten the goal fasteners.
- Use the goal only if it is fastened to the ground (as described in the installation instructions) in a manner that prevents it from moving or swiveling.

NOTE: Do not climb or hang on any parts of the goal and net.