



SPORT TRANSFER
sports equipment

SPORT-TRANSFER sp. z o.o.
Jawornik 564
32-400 Myślenice
Tel. + 48 12 649 14 83
e-mail: biuro@sport-transfer.com.pl

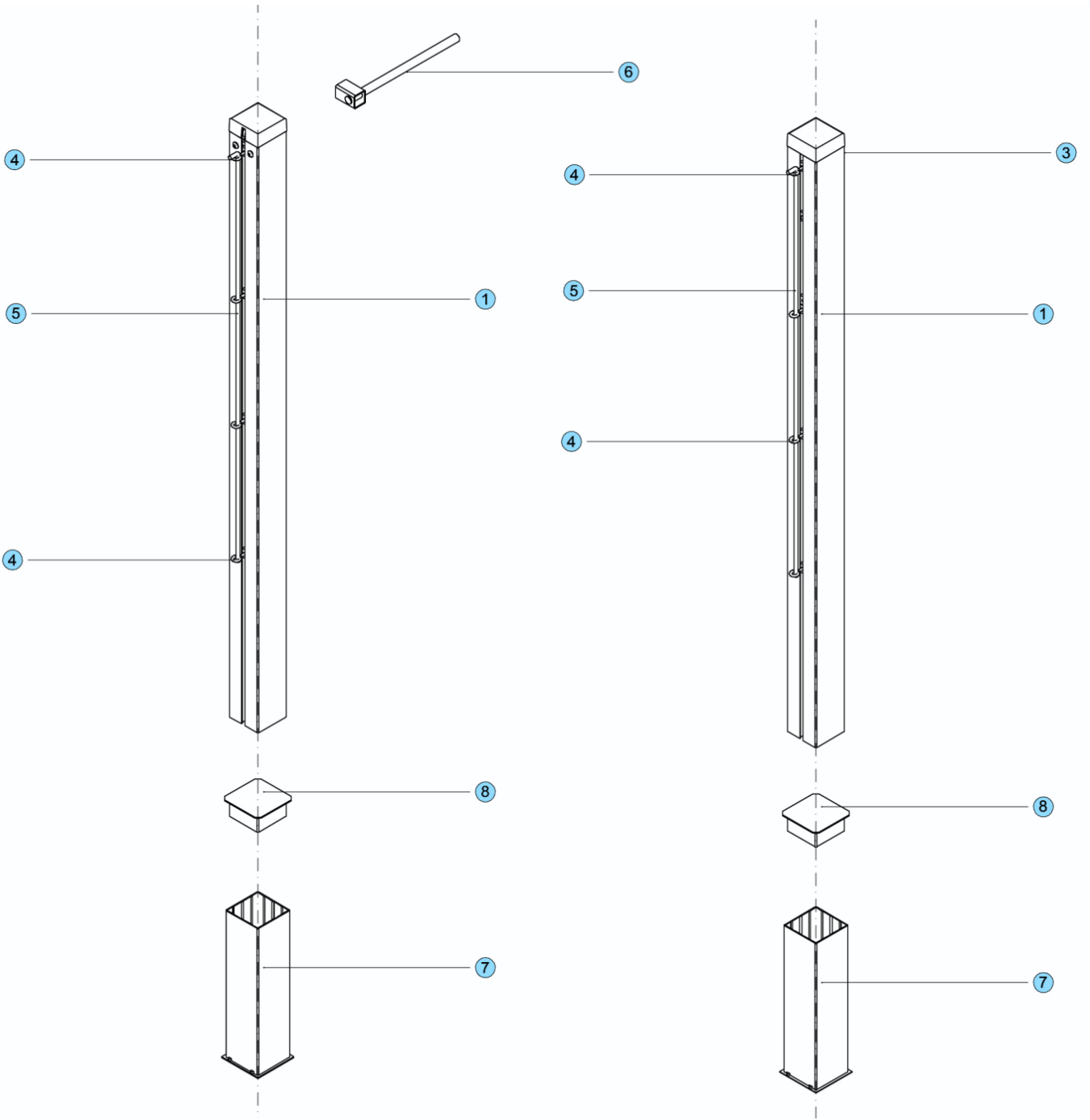
INSTRUCTIONS FOR ASSEMBLY AND USE OF SPORTS EQUIPMENT

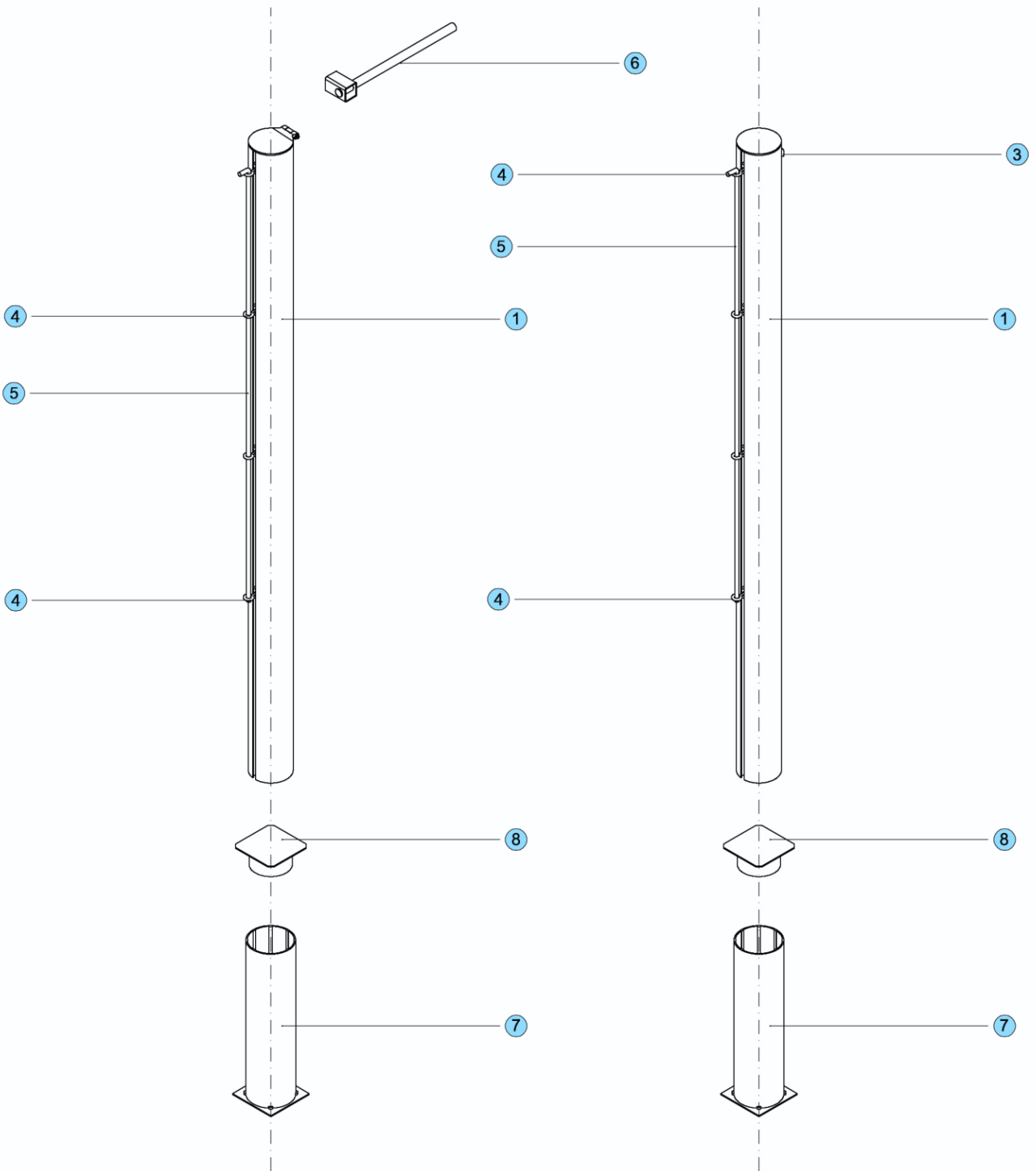
Product: **PROFESSIONAL aluminium tennis posts with sleeves**
Code: 14 001, 14 002

The tennis posts meets requirements of the PN-EN 913:2019-03 and PN-EN 1510:2006 standard: "Playing Field Equipment - Tennis Equipment. Functional and safety requirements, test methods".

1. Components

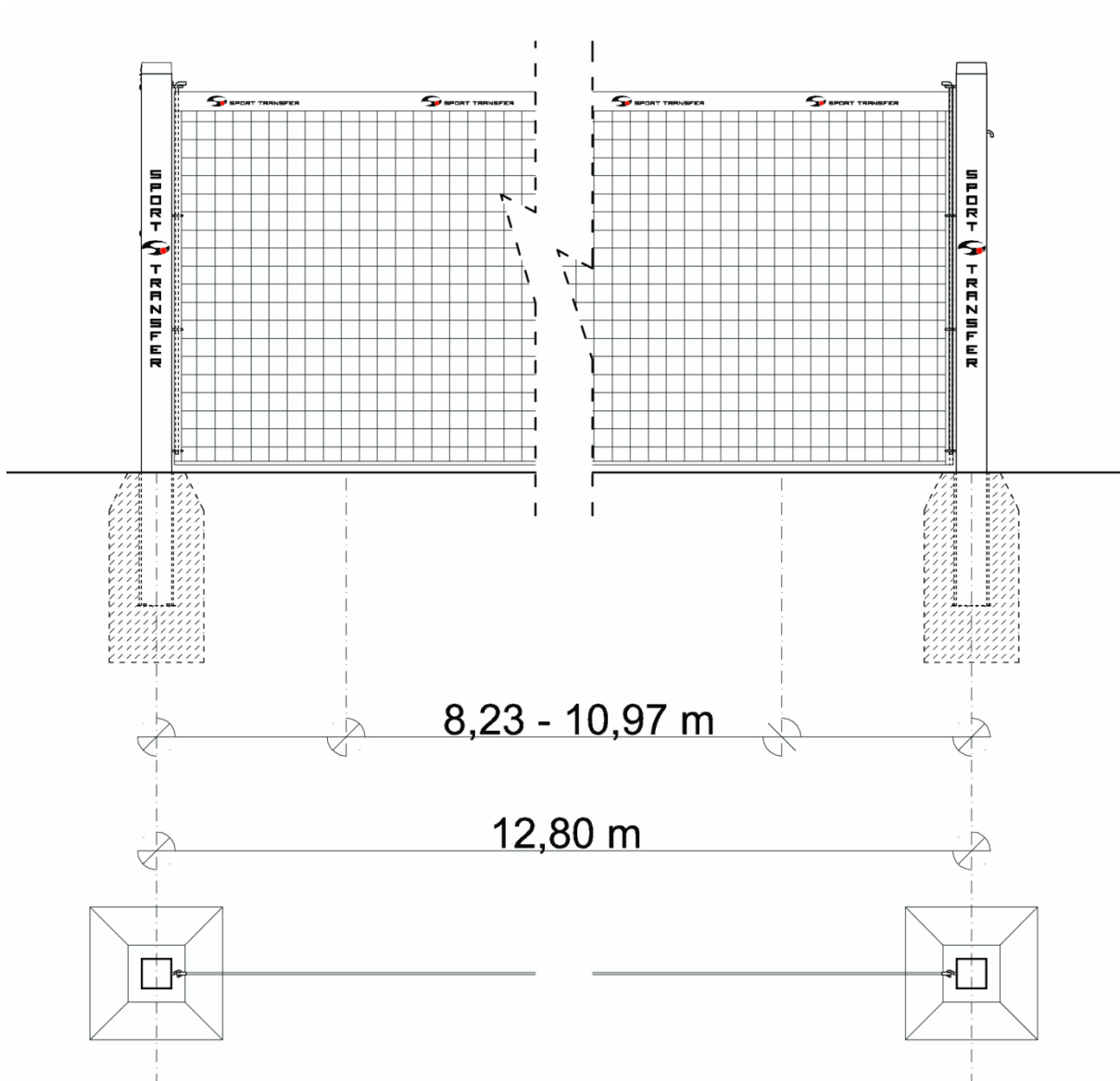
Number	Part/subassembly name	Quantity per product
1	Round / square aluminium posts	2
2	Net tensioning mechanism - internal	1
3	Net hook	1
4	Tension bar hook	8
5	Net tensioning bar	2
6	Crank	1
7	Round / square aluminium sleeve	2
8	Aluminium cover	2

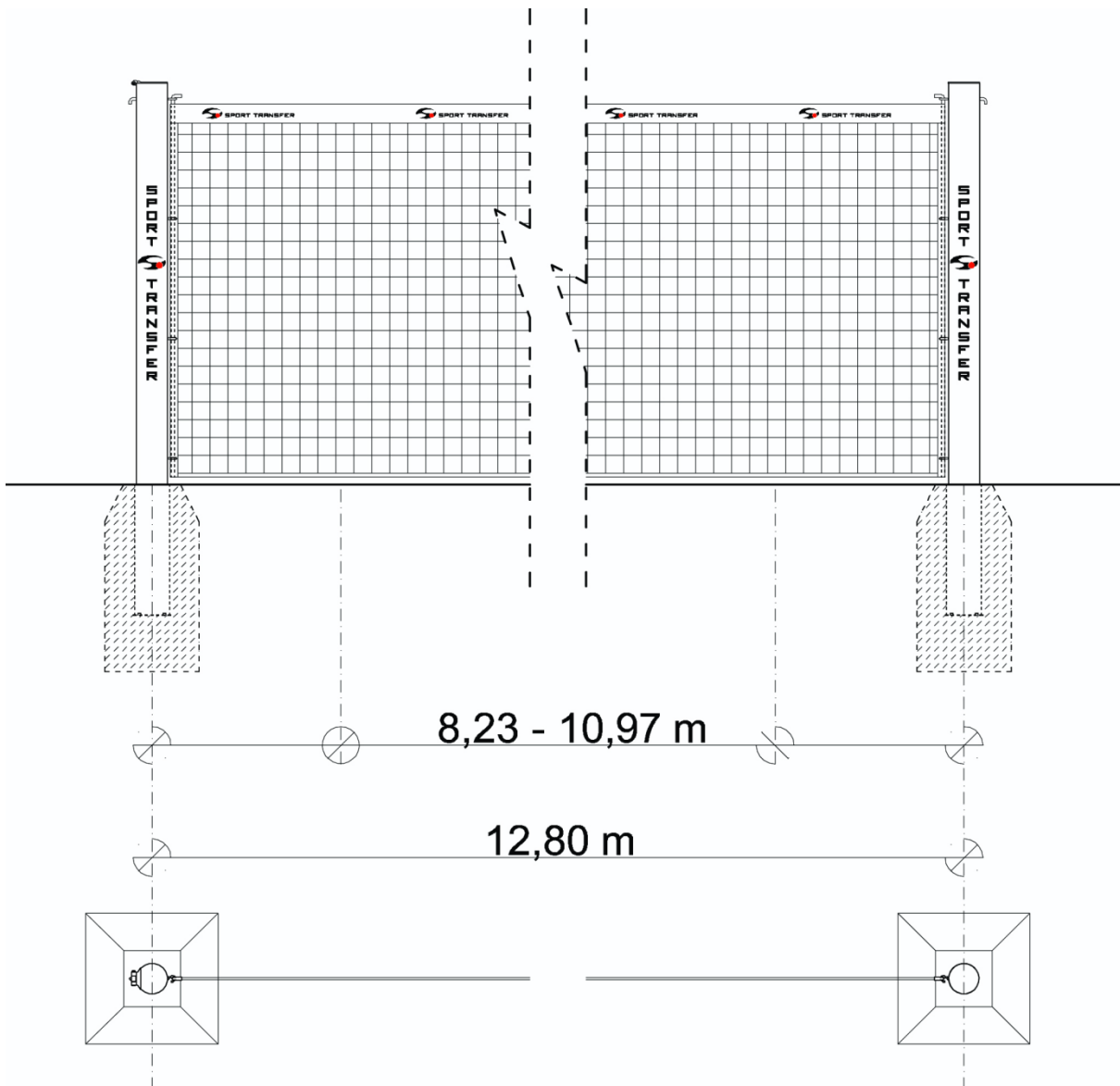




2. Installing the tennis posts

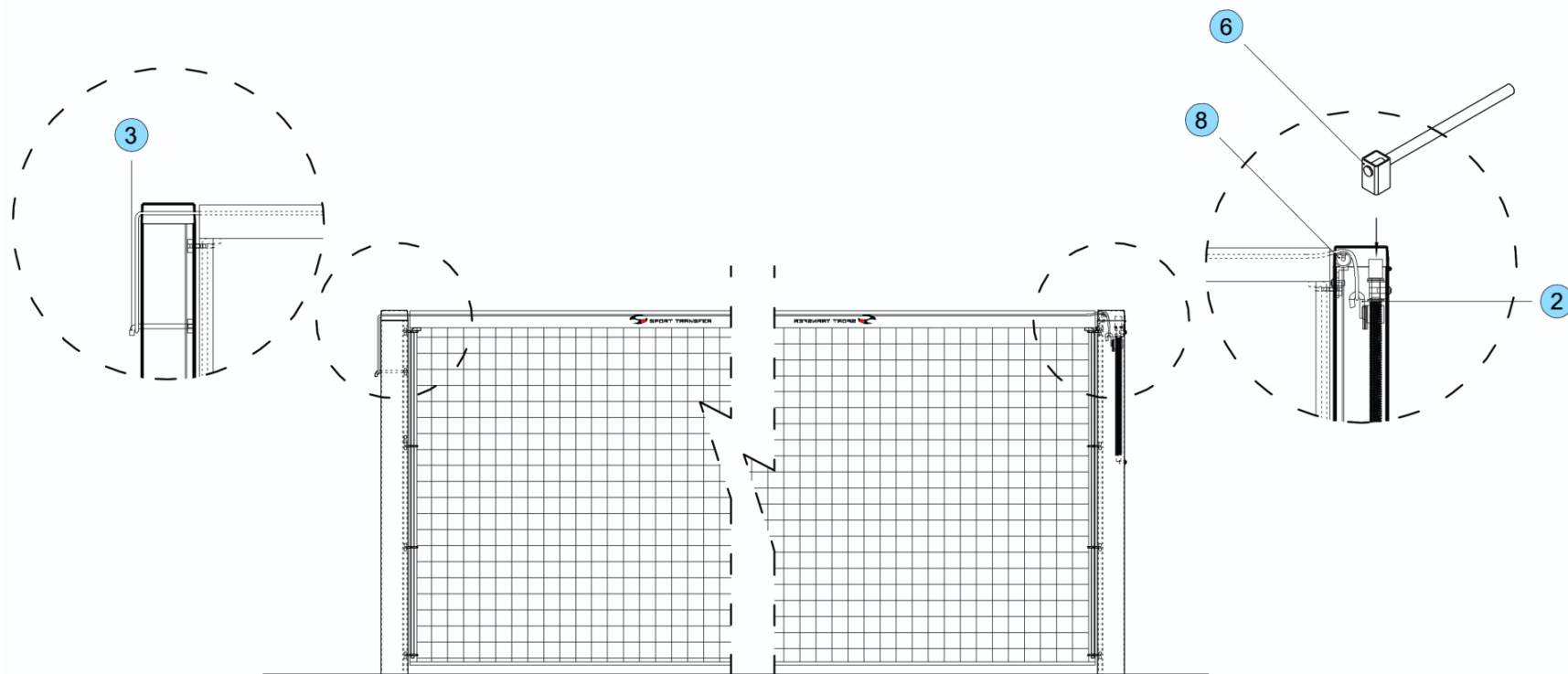
- a) Place the sleeves in the prepared holes in the ground at an angle of $\sim 2^\circ$ of the inclination to the vertical in the direction outside to the playing field, with an axial distance of 12.80 m.
- b) For the sleeves mounted on the outdoor pitch, the upper edge of the frame with the cover (end of the sleeve) shall coincide with the playing field level, in the halls the upper edge of the sleeve is to be 30 mm below the floor level.
- c) Recommended foundation size is min. 500x500 mm and depth min. 500 mm on the outdoor playing fields and min. depth 400 mm in sports halls with concrete class C20/25.
- d) The final size of the foundation and the class of concrete used should depend on the strength condition: the **horizontal force $P=3000\text{N}$ applied to the post placed in the sleeve at the height of 1070 mm should not cause loosening of the sleeve fixing or the whole foundation** and the ground frost zone in the given area.
- e) The posts in the sleeve can be installed and operated after the concrete has completely dried out (min. 7 days).



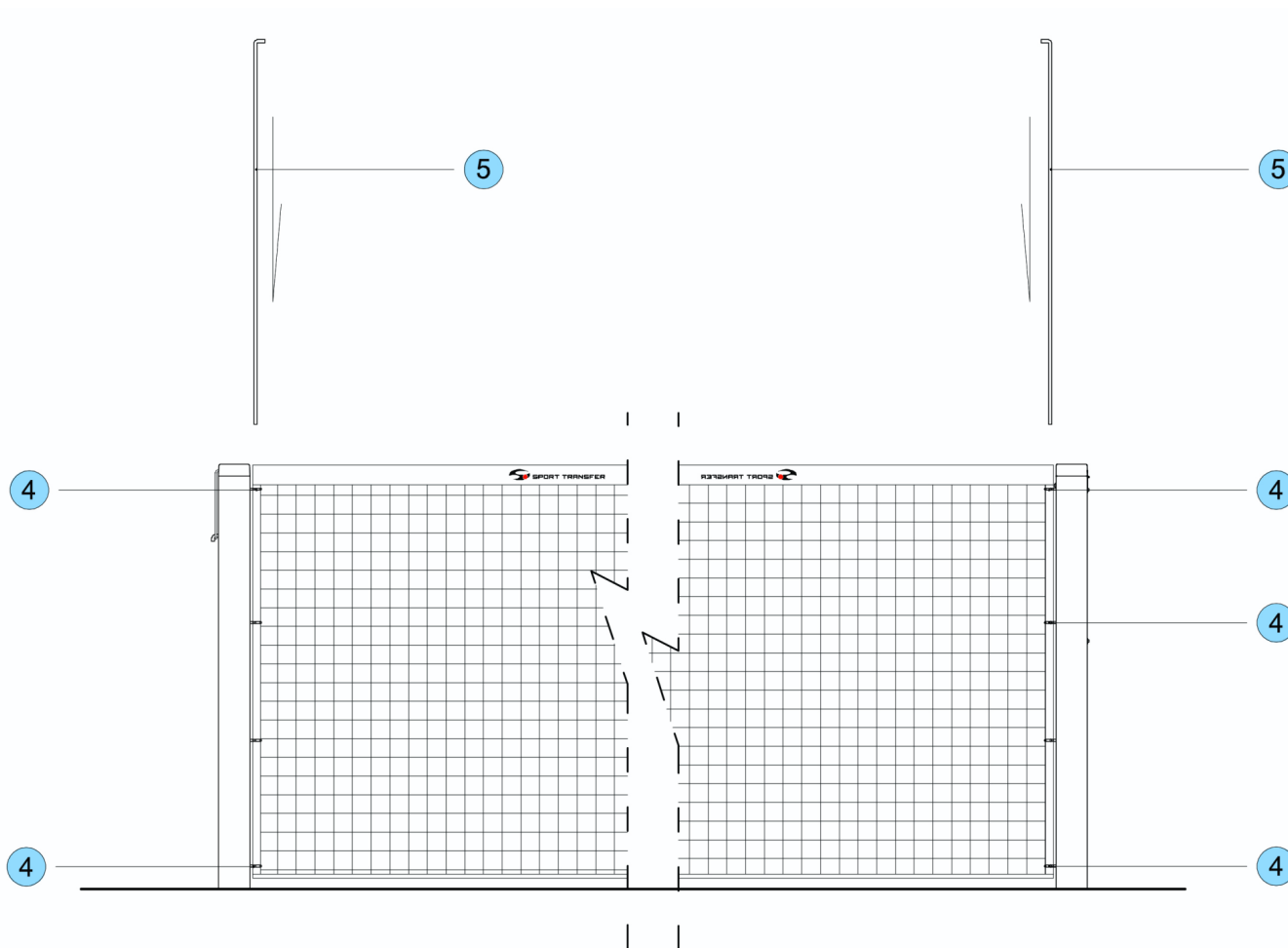


3. Net fastening

- a) Attach the net suspension line on the hook (3) of the post without the tensioning mechanism.
- b) Put the other end of the suspension line through the guide pulley (8) and hook onto the hook in the tensioning mechanism (2) of the second post - the screw from the tensioner should be in the highest position.
- c) By turning the crank (6) applied to the joint in the middle of the tensioning screw, tighten the net's suspension line. In a correctly tensioned net, the top edge of the net is 1.07 m high.



- d) After tensioning the suspension line, tension the net with the tension rods (5) put through the meshes of the net and the hooks of the rods (4) and tie the tension cords to the top of the posts so that the net is symmetrically aligned towards the transverse axis of the court.



4. Using the posts

- a) Aluminium tennis posts are designed for playing tennis in halls, sports halls and outdoor facilities.
- b) The posts in the sleeves (7) are set so that the elements used to tension the grid are directed to the playing field.
- c) The posts have stepless net tension regulation.
- d) Each time after the game is over, loosen the tension on the net suspension strand.

ATTENTION: Do not climb or hang on any part of the posts and net.